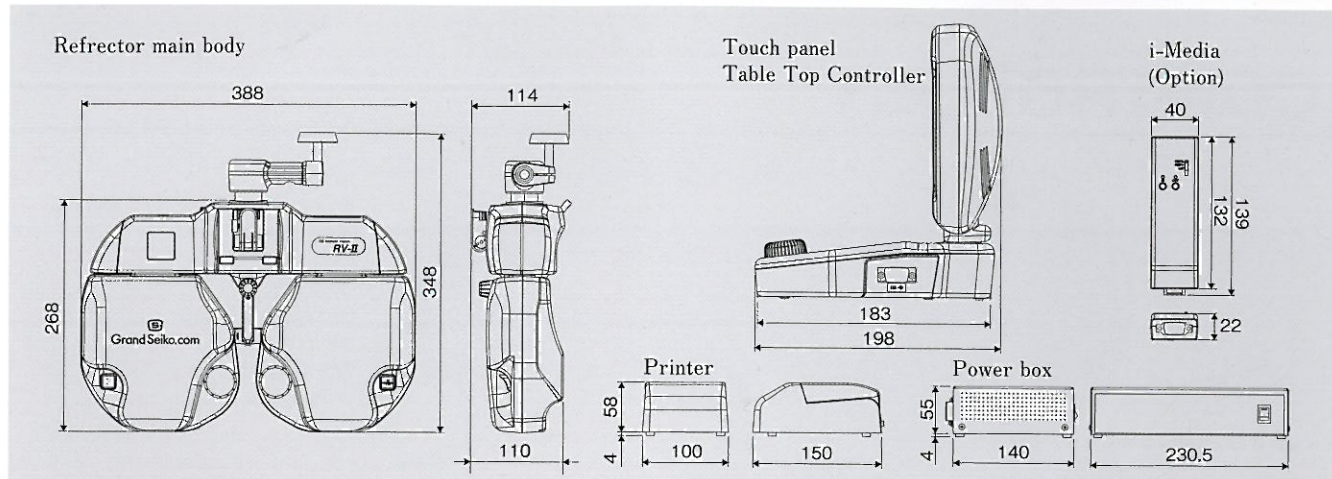


Refractor
GS Remote Vision RV-II

Overall Dimension



Specification

Power measurement	Spherical lens power	-34.50~+32.00D 0.25D step (0.125D/0.25D/1D)	
	Cylindrical power	-7~+7D 0.25D step (0.25D/1D)	
	Cylinder axis	0~180° 5 steps (1°/5°/45°)	
	Prism power	0△~20△ 0.5△ step (0.25△/0.5△/1△)	
Cross cylinder	Manual cross cylinder	±0.25D/±0.50D	
	Auto Cross cylinder	±0.25D	
Auxiliary lens	Ex cross cylinder	±0.25D/±0.50D	
	Left	Right	
		Open	
	Occlude		
	Retinoscope lens	+1.5/2.0D	
	ADD cross cylinder	±0.5D	
	Maddox (red): vertical	Maddox (red): horizontal	
	Polaroid: 135°	Polaroid: 45°	
	Polaroid: 45°	Polaroid: 135°	
	Prism separation: 10△BI	Prism separation: 6△BU	
	Prism separation: 3△BD	Prism separation: 3△BU	
	Filter: green	Filter: red	
	PD cross		
	Pinhole φ1.2mm		
FOG			
PD range	46~80 mm (Right/Left)		
	0.5mm step (0.1/0.5/1mm)		

Data storage	Auto Refractor	Far/Add
	Lensmeter	Far/Add
	Plano (V.A.)	Far/Near
	Subjective	Far1/Near Near1/Near2 Add1/Add2
Program	Program 1 (Standard program) Program 2 (Basic program) Speedy program 21-point eye examination (steps #7 - #21)	
	Dimensions (W) × (D) × (H) Weight	
Dimensions (W) × (D) × (H) Weight	Refractor main body: 388 × 110 × 268 mm 5 kg	
	Power box: 140 × 59 × 230.5 mm 1.1 kg	
Input voltage	Touch Panel Table Top Controller: 200 × 183 × 218 mm 2 kg	
	Printer: 150 × 62 × 100 mm 600 g	
Power consumption	AC 100V-240V, 50/60 Hz 80VA	

Option

- Special table top (budget and space-saving solution)
Table size: 300(W)×540(D)mm or larger
Maximum loading weight: 5.5kg
- i-Media

CAUTION For the proper and safety use, please read the Instruction Manual thoroughly before using the product.



● Agency

RIGHT MFG. CO., LTD.
 Ophthalmic Sales
 1-47-3, Maeno-cho, Itabashi-ku, Tokyo 174-8633, Japan

SHIGIYA
SHIGIYA MACHINERY WORKS LTD.
 GS Division <http://www.GrandSeiko.com>
 5378 Minoshima, Fukuyama, Hiroshima, 721-8575 Japan
 Tel.+81-84-981-5735 Fax.+81-84-953-6758

REFRACTOR

Anyone can do Professional Measurement

GS Remote Vision
RV-II **NEW**



GrandSeiko.com